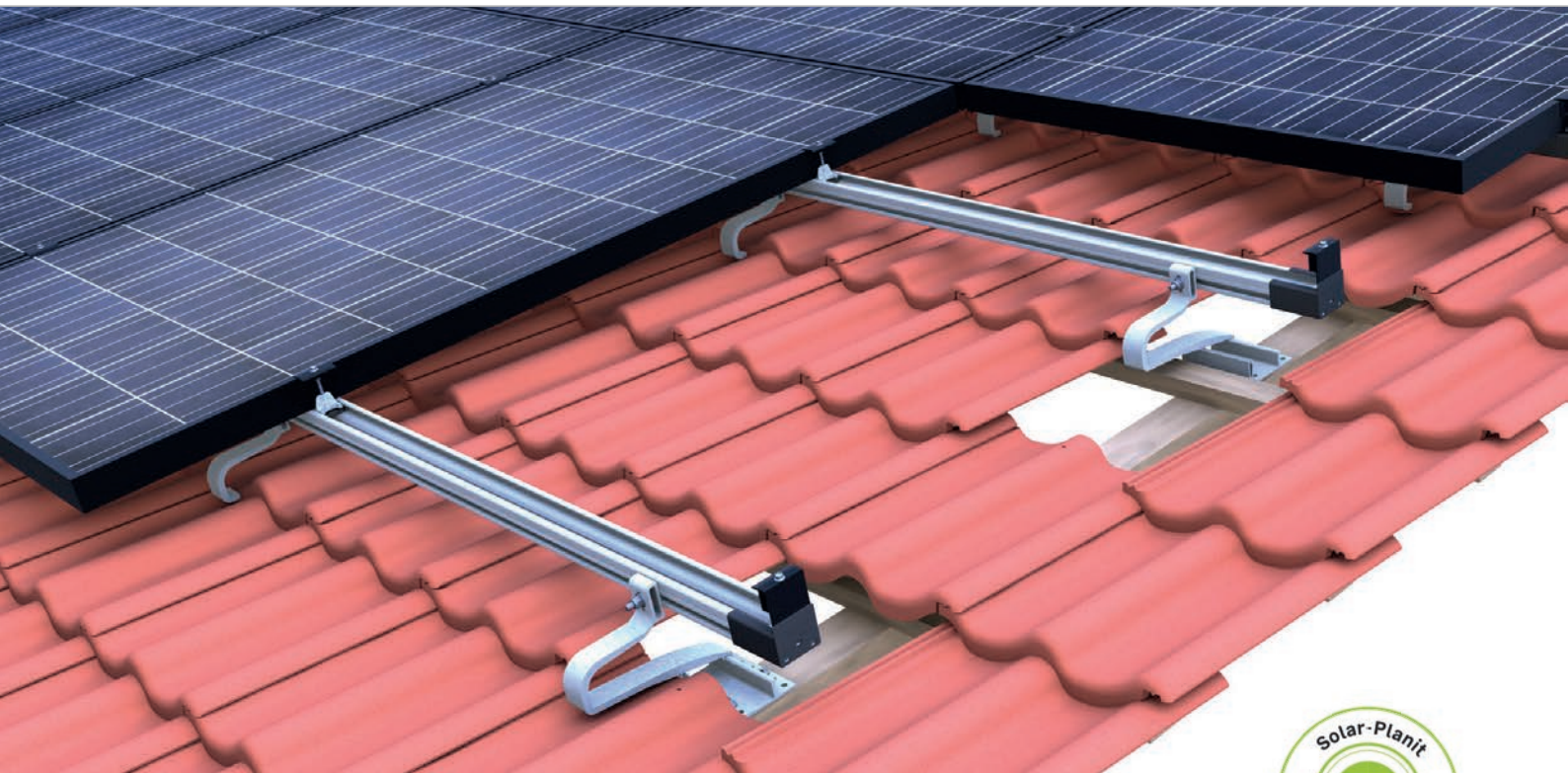
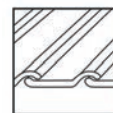


Tile roof | clamping system side-fix

Clamping system with modules installed in portrait



Quick and easy fixing

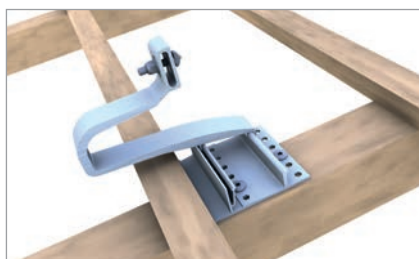
- module landscape installation possible with cross layer system
- wide base profile and lateral adjustability offer maximum flexibility throughout installation
- low substructure clearance to the roof coverage

product variants

- rails and clamps available in blank and black anodized

Your benefits

- quick roof hook installation through click technology
- roof hooks for large tile overlap up to approx. 11 cm
- easy to assemble connection from the side
- internal connector for maximum assembly freedom



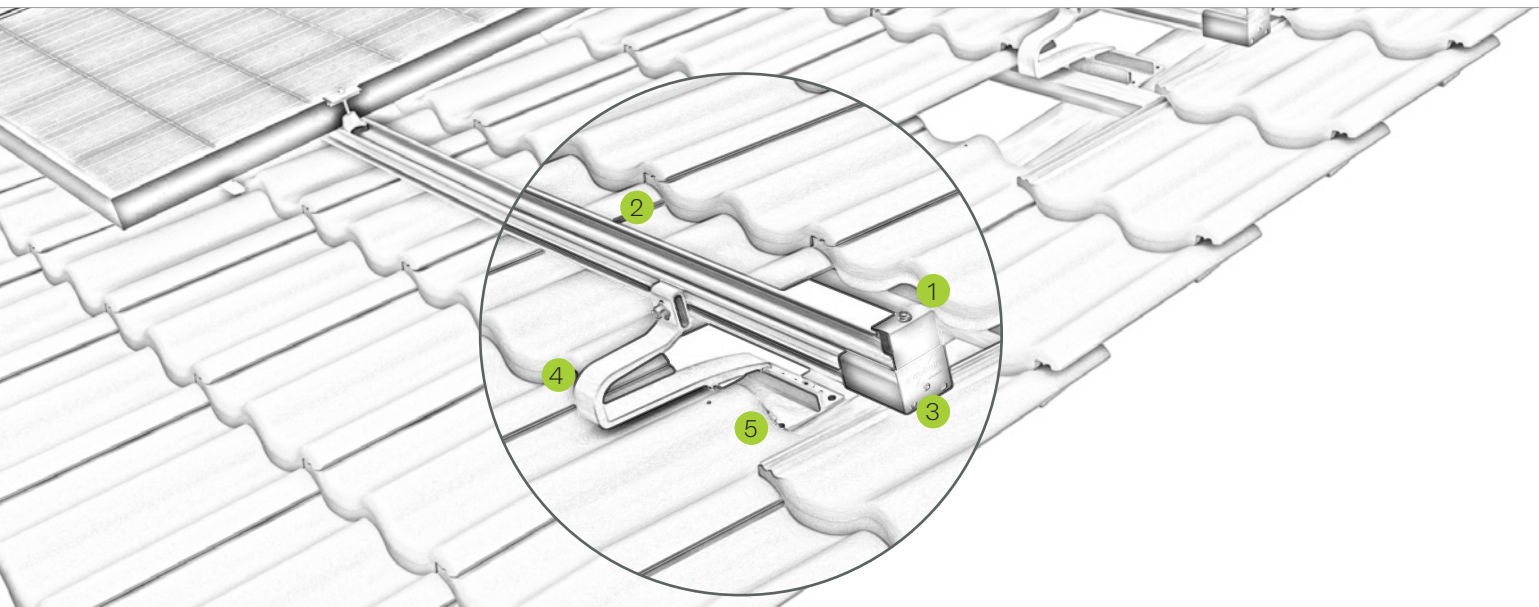
Position of base profile on rafters



Connector C-N-rail 37



End clamp and end cap in C-N-rail



Pic Designation

- ① **Middle and end clamp**

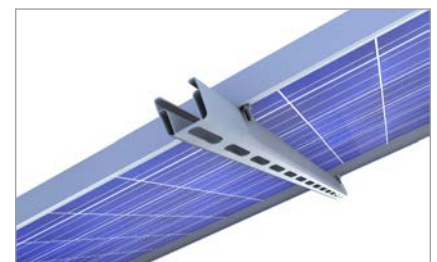
 - for frame heights of 30-42 mm and 43-52 mm
 - installation-friendly thanks to click-in mechanism
- ② **C-N-rail**

 - available in different lengths in blank and black
 - can be stepped on throughout installation
- ③ **End cap**

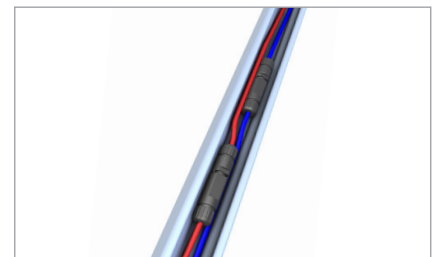
 - for optically tidy rail ends
 - UV and weather resistant
- ④ **Roof hook**

 - quick installation through click technology
 - high stability thanks to centric load distribution
- ⑤ **Screws**

 - building authority-approved
 - Ø 6 / 8 mm available in different lengths



Slip guard for fixing modules



C-N-rail as cable channel

Mounting video



Bauart geprüft
Regelmäßige
Produktions-
überwachung
www.dib.com
ID: 111133660

novotegra GmbH
Eisenbahnstraße 150 | 72072 Tübingen | Deutschland
Tel. +49 7071 98987-0, info@novotegra.com
www.novotegra.com

Subject to changes and errors excepted.
Last updated: April 2021 / TP